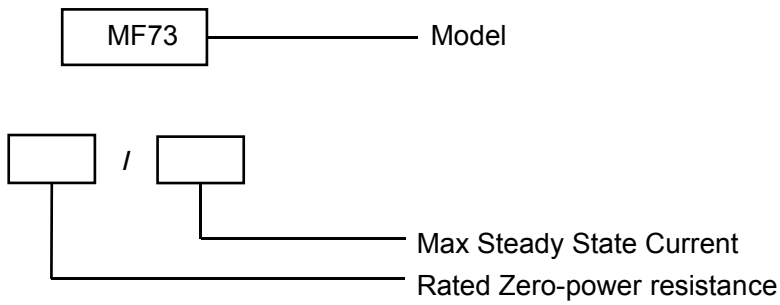


## ■ MF73 High-power NTC Thermistor series

### □ Applications

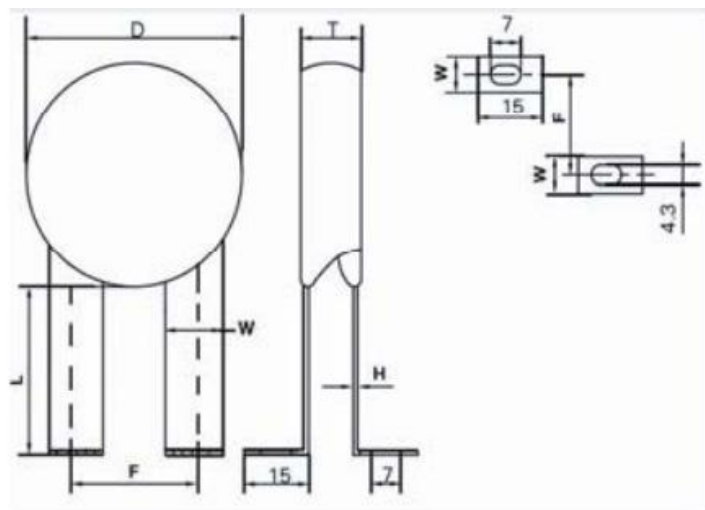
- ◆ All kinds of power supply,UPS power supply , Switching power supply.
- ◆ EV charger,charging pile.
- ◆ Motor driver,superpower server motor driver,logic controller.
- ◆ High power plasma electric welder,cutting machine , super power lighting lamp.
- ◆ Nuclear magnetic resonance equipment,super power audio power amplifier,high power circle transformer.
- ◆ The solar panel arrays with high capacity power inverter.
- ◆ The industrial robot driven by high voltage power supply,intelligent electric cabinet with low voltage.

### □ MF73 Specification



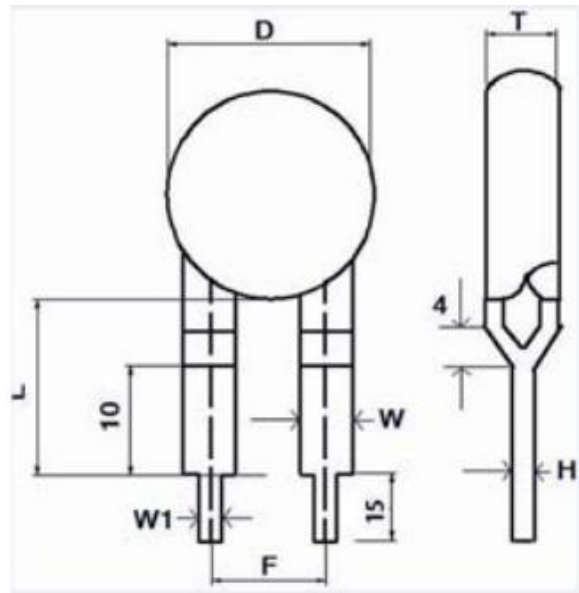
### □ MF73 Dimensions(mm)

#### Curved



Body size	Φ40	Φ45	Φ50
Diameter(Dmax)	45	50	55
Thickness (Tmax)	18	18	18
Pitch (F±1.5)	22.5	22.5	22.5
Leaded length (L±2)	20	20	20
Leaded width (W±(0.2))	8	8	8
leaded thickness (H±0.1)	1.0	1.0	1.0

**Straight**



Body size	Φ40	Φ45	Φ50
Diameter(Dmax)	45	50	55
Thickness (Tmax)	18	18	18
Pitch (F±1.5)	22.5	22.5	22.5
Leaded length (L±2)	30	30	30
Leaded width (W±(0.2))	10	10	10
Leaded thickness (H±0.1)	1.0	1.0	1.0
Width of the bottom lead (W1±(0.2))	6	6	6

□ Main Technical Parameters

Part No. MF73	R25±20% (Ω)	Thermal Index B±10%(K)	Max Steady State Current Imax (A)	Approx. R of Max. Current Rmax (Ω)	Max rated Power Pmax (W)	Max surge capacitance (μF) 240V/AC
Φ40mm						
MF73 0.2/50	0.2	2600	50	0.005	25	8000
MF73 0.5/40	0.5	2600	40	0.008		6800
MF73 1/40	1	2600	40	0.010		6800
MF73 1.5/36	1.5	2600	36	0.012		6800
MF73 2/32	2	2600	32	0.014		6800
MF73 2.5/30	2.5	2800	30	0.018		6800
MF73 3/28	3	2800	28	0.020		6800
MF73 4/27	4	2800	27	0.022		4700
MF73 4.7/26	4.7	3000	26	0.023		4700
MF73 5/25	5	3000	25	0.028		4700
MF73 6.8/23	6.8	3000	23	0.03		4700
MF73 8/20	8	3200	20	0.034		3300
MF73 10/19	10	3200	19	0.038		3300
MF73 12/18	12	3200	18	0.040		3300
MF73 15/16	15	3200	16	0.050		3300
MF73 18/14	18	3200	14	0.062		3300
MF73 20/13	20	3200	13	0.075	3300	
Φ45mm						
MF73 0.2/65	0.2	2600	65	0.004	30	11500
MF73 0.5/50	0.5	2600	50	0.007		8000
MF73 1/48	1	2600	48	0.009		8000
MF73 1.5/45	1.5	2600	45	0.011		8000
MF73 2/40	2	2600	40	0.012		8000
MF73 2.5/37	2.5	2800	37	0.015		8000
MF73 3/35	3	2800	35	0.018		8000
MF73 4/34	4	2800	34	0.020		6800
MF73 4.7/32	4.7	3000	32	0.022		6800
MF73 5/30	5	3000	30	0.025		6800
MF73 6.8/28	6.8	3000	28	0.028		6800

MF73 8/26	8	3200	26	0.030		4700
MF73 10/24	10	3200	24	0.032		4700
MF73 12/22	12	3200	22	0.034		4700
MF73 15/20	15	3200	20	0.042		4700
MF73 18/18	18	3200	18	0.061		4700
MF73 20/16	20	3200	16	0.070		4700
Φ50mm						
MF73 0.2/80	0.2	2600	80	0.003	36	15000
MF73 0.5/60	0.5	2600	60	0.006		11500
MF73 1/56	1	2600	56	0.008		11500
MF73 1.5/50	1.5	2600	50	0.010		11500
MF73 2/45	2	2600	45	0.011		11500
MF73 2.5/42	2.5	2800	42	0.012		11500
MF73 3/40	3	2800	40	0.015		11500
MF73 4/38	4	2800	38	0.018		8000
MF73 4.7/36	4.7	3000	36	0.021		9000
MF73 5/35	5	3000	35	0.022		8000
MF73 6.8/32	6.8	3000	32	0.025		8000
MF73 8/29	8	3200	29	0.028		6800
MF73 10/27	10	3200	27	0.030		6800
MF73 12/25	12	3200	25	0.033		6800
MF73 15/23	15	3200	23	0.040		6800
MF73 18/20	18	3200	20	0.055		6800
MF73 20/18	20	3200	18	0.065		6800
MF73 25/15	25	3200	15	0.08B		6900