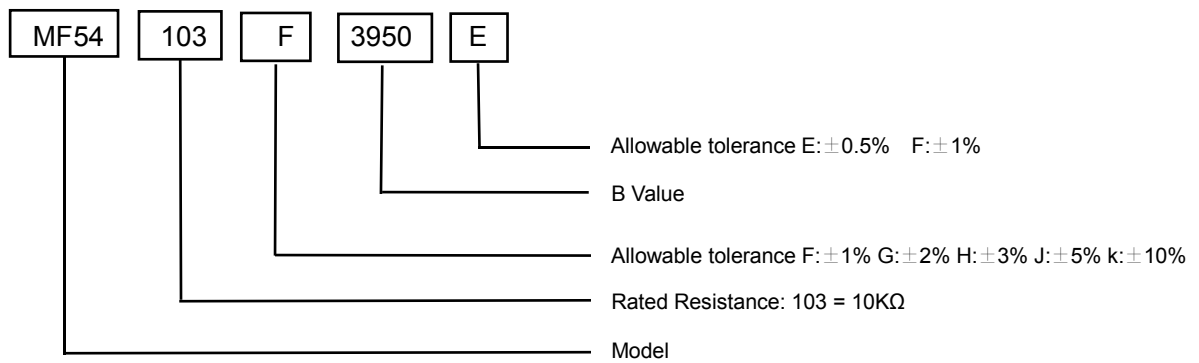


MF54 Temp Measurement NTC Thermistor series

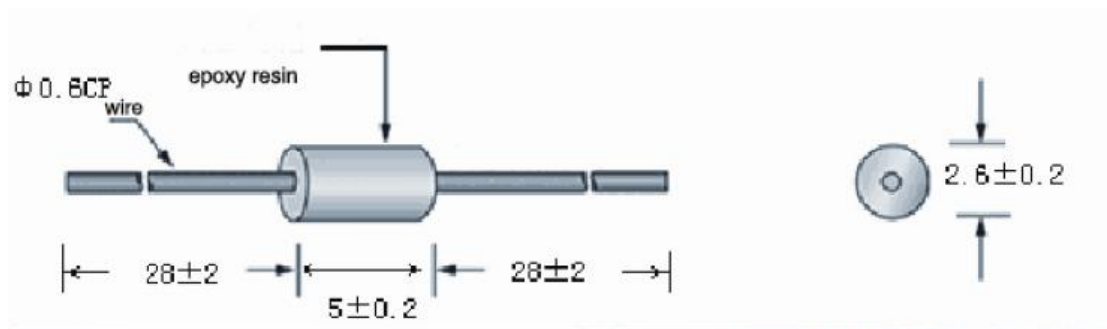
Applications

- ◆ Automobile electronic (car-carrying air-condition and refrigeration and so on)
- ◆ Office equipment (computer, print machine and so on)
- ◆ Rechargeable battery (lithium battery, ni-mh battery)

MF54 Specification



MF54 Dimensions(mm)



Main Technical Parameters

Rated zero power resistance value range (R25): 0.1 – 1000KΩ

R25 allowable deviation: ±1%, ±2%, ±3%, ±5%, ±10%

B value allowable tolerance: ±0.5%, ±1%

Dissipation coefficient: ≥5mW/°C (still air)

Thermal time constant: ≤20S (still air)

Range of operating temperature: -55°C ~ 125°C

Rated power at 25°C: ≤25mW