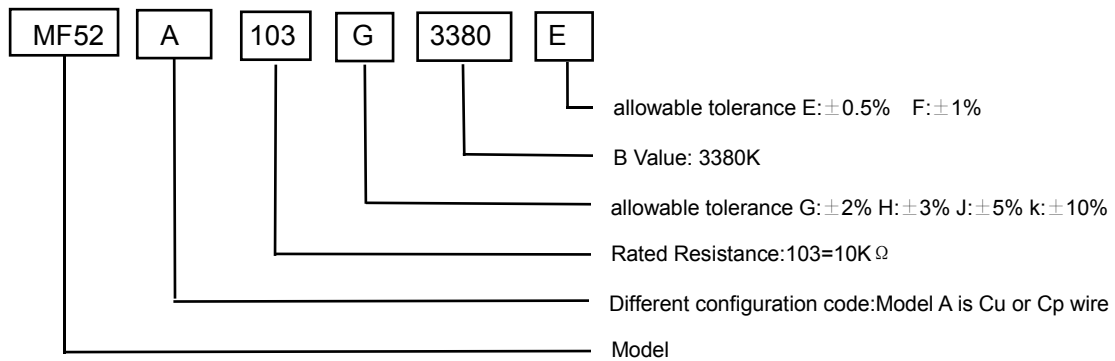


## MF52 Temp Measurement NTC Thermistor series

### Applications

- ◆ Air-Conditioner Equipments
- ◆ Heating Apparatus
- ◆ Electric Thermometer
- ◆ Liquid level sensor
- ◆ Automobile electronic
- ◆ Electric table-board
- ◆ Battery of Mobile Telephone

### MF52 Specification

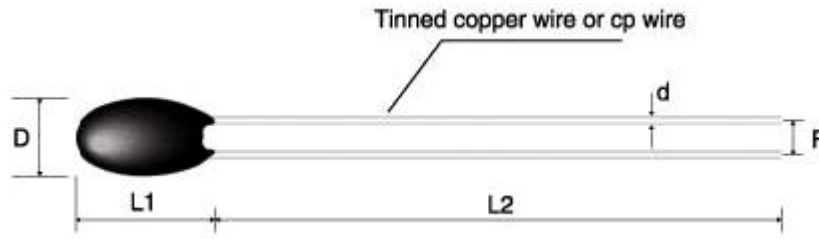


### Main Technical Parameters

Part No.	Rated Resistance R <sub>25</sub> (K $\Omega$ )	B Value (25/50 $^{\circ}$ C) (K)	Rated Power (mW)	Dissi. Coef. (mW/ $^{\circ}$ C)	Thermal Time Constant(S)	Operating Temp.( $^{\circ}$ C)
MF52 □□□ 3100	0.1-20	3100	$\leq 50$	$\geq 2.0$ In Still Air	$\leq 12$ In Still Air	-40~+125 $^{\circ}$ C
MF52 □□□ 3270	0.2-20	3270				
MF52 □□□ 3380	0.5-50	3380				
MF52 □□□ 3470	0.5-50	3470				
MF52 □□□ 3600	1-100	3600				
MF52 □□□ 3950	5-100	3950				
MF52 □□□ 4000	5-100	4000				
MF52 □□□ 4050	5-200	4050				
MF52 □□□ 4150	10-250	4150				
MF52 □□□ 4300	20-1000	4300				
MF52 □□□ 4500	20-1000	4500				

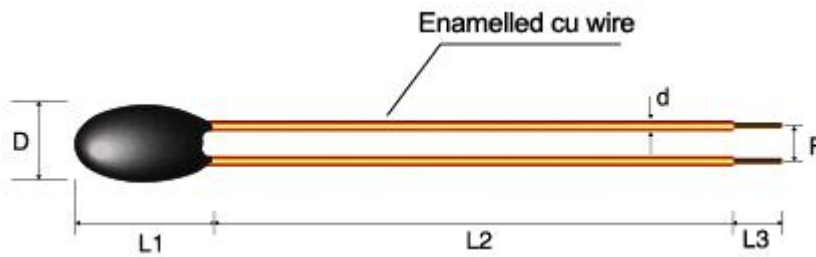
□ **MF52 Dimensions(mm)**

► Model A: Tinned copper wire or cp wire



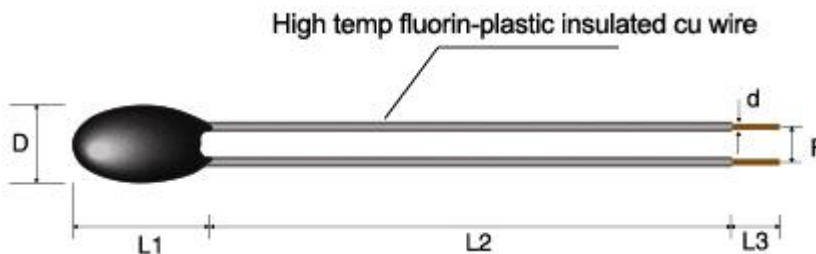
Code	Dmax	L1max	L2min	d ± 0.05	F ±0.5
A1	2.5	4	25	0.3	1.7
A2	3	4.5	25	0.45	2.2

► Model B: Enamelled cu wire



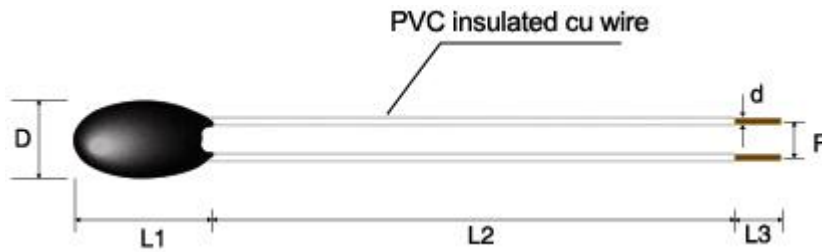
Code	Dmax	L1max	L2min	L3 ±1	d ± 0.05
B1	2	3.5	customized	3	0.2
B2	3	4	customized	3	0.3

► Model C: High temp fluorin-plastic wire



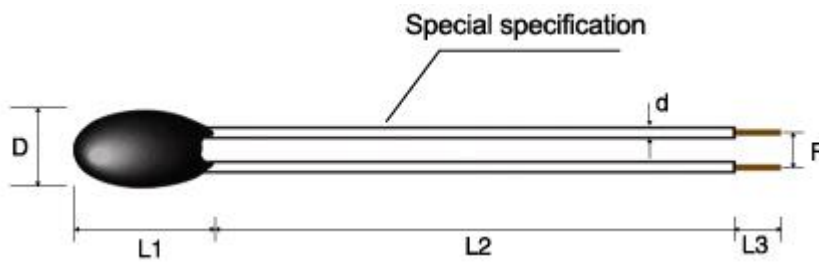
Code	Dmax	L1max	L2min	L3 ±1	Wire model
C1	3	7.5	customized	5	30#
C2	4	7.5	customized	5	28#

► Model D: PVC insulated cu wire



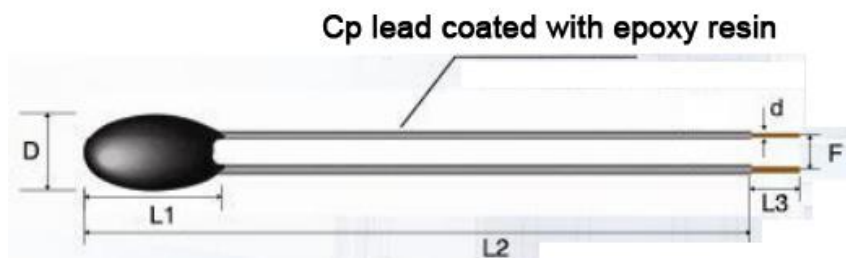
Code	Dmax	L1max	L2min	L3 ±1	Wire model
D1	3	7.5	customized	5	30#
D2	4	7.5	customized	5	28#

► Model E: Leaded wire and head are all special specification



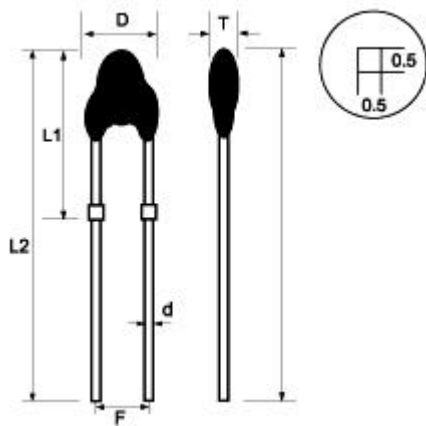
Code	Dmax	L1max	L2min	L3 ±1	Wire model
E1	customized	customized	customized	5	customized
E2	customized	customized	customized	5	customized

► Model DE: Cp lead coated with epoxy resin



Code	Dmax	L1max	L2min	L3	d ± 0.05	F ±0.5
DE1	3	6.0	55	customized	0.3	/
DE2	4	7.5	35	customized	0.45	/

► Model F: Cp lead coated with epoxy resin



Code	Dmax	L1max	L2±1.5	d ± 0.1	F ± 0.5	T max
F	3.8	9.5	17	0.6	2.5	3.5